



Hi-LINE



FRONT LOADING DISHWASHER

HF45

Models available:

HF45 R - RCD

HF45 RA - RCD / Onboard Softener

(HF45 can be site configured for single or 3 phase operation)



Double skinned stainless steel construction provides strength while the ergonomic design offers simple to operate comfort for any user.

Easy to use controls and colour coded status indicators. Programmable options for different washing cycles; fast glasses, glasses, dishes, intensive and Eco2.

The smart design of the WRIS2+ Wash and Rinse Integrated System reduces water consumption by 25% while still delivering a thorough, consistent clean.

The double water blade design boosts contact time and leaves no blind spots as it produces brilliantly clean glasses, crockery and cutlery every wash.

FEATURES:

- Up to 60 racks per hour (with 7Kw boiler heating element)
- Soft touch control panel with colour coded status indicators
- Programable washing cycles; glasses, fast glasses, dishes, intensive and Eco2
- The control panel displays all functioning parameters and highlights any anomalies for easy monitoring
- Soft start function designed to begin the wash cycle slowly and gradually build the speed to prevent the dislodging of glasses preventing breakages
- Automatic standby mode activates during times of extended inactivity to reduce energy consumption
- WRIS2+ wash and rinse intergrated system with double water blade design boosts water contact time reducing water consumption without compromising on the cleaning ability
- RCD - Rinse Control Device combines an atmospheric boiler and rinse booster pump to ensure consistent water pressure throughout the cycle
- Technicians can customise the wash cycles on installation to establish specific times, temperatures and detergent requirements
- Single piece deep drawn tank with multiple filtering system
- Automatic self cleaning cycle at unit switch off
- Self draining wash pump as standard
- Built in HR drain pump as standard
- Optional built in water softener on 'A' models



Comenda - Ali S.p.A
ISO 9001:2008
UNI EN ISO 14001:2004

Continuing research results in steady improvements; therefore, these specifications are subject to change without notice.



COMENDA - HUBBARD SYSTEMS

106 Claydon Business Park, Great Blakenham, Ipswich, Suffolk, IP6 0NL

Tel: 01473 350045 Email: enquiries@hubbardsystems.co.uk Web: www.comenda.co.uk

Hi LINE HF45 - Front Loading Dishwasher up to 60* Racks per Hour

Revision - August 2018

Models available:

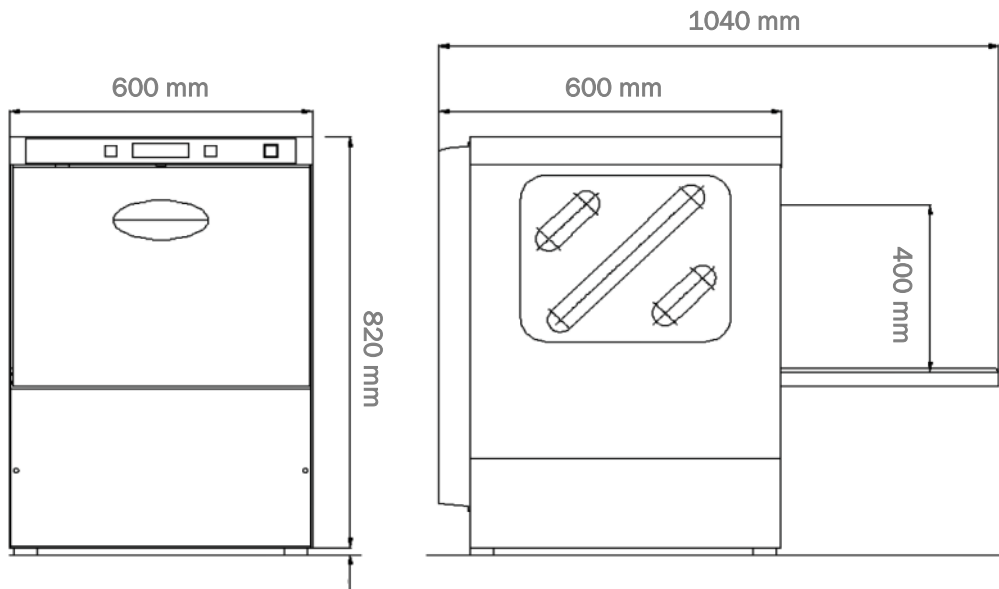
HF45 R - RCD

HF45 RA - RCD / Onboard Softener

(HF45 can be site configured for single or 3 phase operation)

Hi-LINE 
GLASSWASHER

Hi LINE HF45 - Front Loading Dishwasher up to 60* Racks per Hour



DIMENSIONS:

Machine	600(w) x 600(d) x 820(h) mm
Machine with door open	600(w) x 1040(d) x 820(h) mm
Rack dimensions	500 x 500 mm
Rack clearance height	400 mm
Packed weight	75 kg
Net weight	70 kg

INCLUDED AS STANDARD:

- 1x Inlet hose
- 1x Drain hose
- 1x Combination rack
- 1x Insert for small dishes
- 1x Cutlery holder

TECHNICAL SPECIFICATIONS:

Wash temperature	ca. 55 °C
Rinse temperature	Adjustable up to 85 °C
Wash cycle duration	60/90/120/240 sec.
Theoretical output - racks/hr*	60/40/30/15
Tank capacity	10.0 litres
Water consumption per cycle	2.5 litres
Booster capacity	8.0 litres
Booster heater element	5.0 / 7.0 Kw
Wash pump	0.7 Kw
Tank heater	1.0 Kw
Total load	5.7 / 7.7 Kw

OPTIONAL EXTRAS:

- WRIS2+ arms in stainless steel
- FRC heat recovery and steam condensing unit
- Base stand C/W door and adjustable feet
- USB and Wi-Fi connectivity

Comenda HF45 units can be configured on site to operate on either three or single phase power.

*The theoretical output is subject to the unit being connected to a 55 °C incoming water temperature and max total installed power. 60 racks/hr max output with 7Kw boiler heating element.



Comenda - Ali S.p.A
ISO 9001:2008
UNI EN ISO 14001:2004



Continuing research results in steady improvements; therefore, these specifications are subject to change without notice.