

Models available:
HC10 R / 1 - RCD / 1 Phase

HC10 RA / 1 - RCD / Onboard Softener / 1 Phase

HC10 R / 3 - RCD / 3 Phase

HC10 RA / 3 - RCD / Onboard Softener / 3 Phase


Double skinned stainless steel construction provides strength while the ergonomic design offers simple to operate comfort for any user.

Easy to use controls and colour coded status indicators. Programmable options for different washing cycles; fast glasses, glasses, dishes, intensive and Eco2.

Triple filtration system with stainless steel surface filter, polypropylene basket filter and stainless mesh wire micro-filter. Particulate matter is removed via the drain pump. This system guarantees continuous usage and no need to drain down the tank mid-shift.

FEATURES:

- Up to 55 racks per hour
- Hood mounted soft touch control panel with colour coded status indicators
- Programmable washing cycles; glasses, fast glasses, dishes, intensive and Eco2
- The control panel displays all functioning parameters and highlights any anomalies for easy monitoring
- Hood activated cycle start and manual cycle start
- Automatic standby mode activates during times of extended inactivity to reduce energy consumption
- Upper and lower stainless steel wash and rinse arms
- RCD - Rinse Control Device combines an atmospheric boiler and rinse booster pump to ensure consistent water pressure throughout the cycle
- Technicians can customise the wash cycles on installation to establish specific times, temperatures and detergent requirements
- Single piece deep drawn tank with multiple filtering system
- Electronic adjustment of the detergent and rinse aid dispensers
- Automatic self cleaning cycle at unit switch off
- Removable rack holder
- Self draining wash pump as standard
- Built in HR drain pump as standard
- Can be installed in straight or corner configurations
- Optional built in water softener on 'A' models
- Optional CRC2 heat recovery system

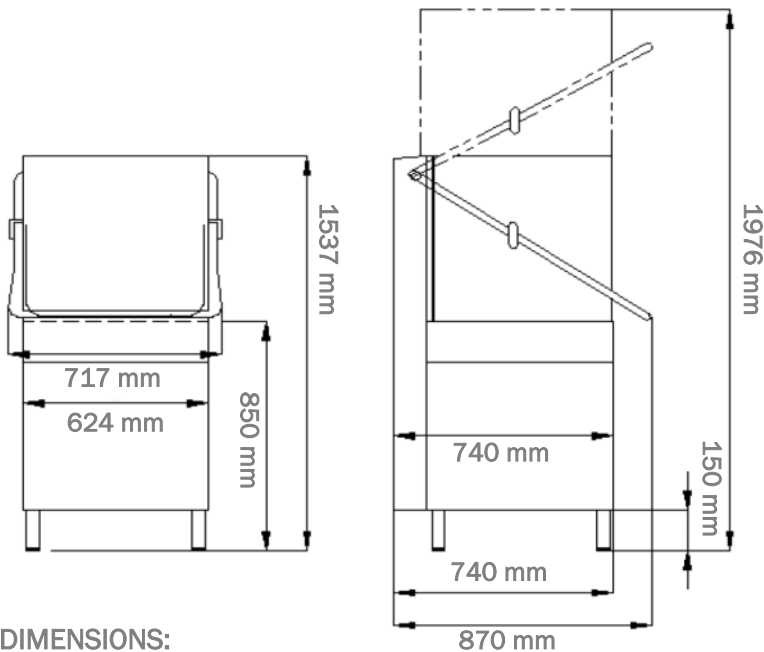


Comenda - Ali S.p.A
ISO 9001:2008
UNI EN ISO 14001:2004

Models available:
HC10 R / 1 - RCD / 1 Phase

HC10 RA / 1 - RCD / Onboard Softener / 1 Phase

HC10 R / 3 - RCD / 3 Phase

HC10 RA / 3 - RCD / Onboard Softener / 3 Phase

DIMENSIONS:

Machine	624(w) x 740(d) x 1537(h) mm
Machine with hood open	624(w) x 740(d) x 1976(h) mm
Rack dimensions	500 x 500 mm
Rack clearance height	440 mm
Packed weight	130 kg
Net weight	118 kg

INCLUDED AS STANDARD:

- 1x Inlet hose
- 1x Drain hose
- 1x Combination rack
- 1x Plate rack
- 1x Cutlery holder

TECHNICAL SPECIFICATIONS:

Wash temperature	ca. 55 °C
Rinse temperature	Adjustable up to 85 °C
Wash cycle duration	65/90/120/240 sec.
Theoretical output - racks/hr*	55/40/30/15
Tank capacity	42.0 litres
Water consumption per cycle	2.8 litres
Booster capacity	8.0 litres
Booster heater element	9.0 Kw
Wash pump	1.1 Kw
Tank heater	3.0 Kw
Total load	10.1 Kw

OPTIONAL EXTRAS:

- CRC2 heat recovery unit and steam condenser
- Double skin insulated hood
- Cold water feed
- USB and Wi-Fi connectivity

Comenda HC10 units are available in either either three or single phase power which must be stated at point of order.

These units cannot be re-configured onsite.

*The theoretical output is subject to the unit being connected to a 55 °C incoming water temperature and max total installed power.



Comenda - Ali S.p.A
ISO 9001:2008
UNI EN ISO 14001:2004

