

Miele's new Little Giants for Small scale laundry operations

Washer-extractor PW 5065

Washer-extractor PW 6065 PLUS

Tumble dryer PT 5136

Tumble dryer PT 7136 PLUS

Capacity: 6.5 kg/15 lbs



The Miele laundry system: The compact solution

The compact solution for hotels, healthcares, caterers, SPAs, hairsalons, golf clubs, B & Bs:
Economical laundry care for the in-house laundry – fast throughput, optimum results and low costs.

Washing

MIELE'S LITTLE GIANTS, PW 5065 and PW 6065 PLUS, are the ideal entry level machines for small, in-house laundries. Featuring a wide range of standard programs, they also offer a good selection of additional functions and programs to suit a wide range of applications.

These machines also benefit from Miele's unique patented Honeycomb drum with a sculptured surface. A thin film of water cushions the garments in the drum which reduces fibre breakage and pilling. After spinning, laundry is easier to unload and because there is less stress caused to the load during washing, you have the reassurance that your laundry will keep its shape and last longer.

Built with hygiene in mind both the PW 5065 and PW 6065 Plus come standard with thermal disinfection programs.

Drying

The perfect complement to Miele's PW 5065 and PW 6065 PLUS washer-extractors are the 6.5 kg capacity tumble dryers with a range of highly developed drying programs to ensure your laundry gets the best treatment possible.

The reverse action drum ensures energy efficient drying with tangle-free results and the electronic sensing system means an automatic process which eliminates operator guesswork.

Installation friendly

Where space is at a premium, a Miele tumble dryer can be stacked on top of the washer-extractor using a special stacking kit. This option only requires 600 x 700 mm of floor space (WTV 5061 White or WTV 5062 Stainless Steel)!

Wet Cleaning

The Miele Little Giants are an extremely viable entry level system into wet cleaning. Garments are treated in an extremely gentle process and finished garments have a pleasant fragrance. Special system parameters such as program compilation, g-force, reduced water levels, an extremely gentle drum rhythm with long pauses followed by short periods of agitation, spin speed, low temperatures and electronic monitoring of residual moisture levels are finely tuned to provide a perfect treatment method.





Miele can look back on decades of experience in developing washer-extractors and cleaning processes. The concepts and features of Miele's professional up-to-the-minute washer-extractors and tumble dryers are based on this experience. The advantage to the customer is that every establishment can be given comprehensive advice and a thorough analysis of its operating and economic requirements.

Better know-how



Miele offers technologically advanced products that are made in compliance with DIN EN ISO 9001. Solid construction, high quality materials, sophisticated technology and excellence of finish with electronic components that are designed and made in-house, guaranteeing the legendary longevity of Miele machines. The reliability of all components and patented technologies are further examples of the optimizing of Miele quality through technical innovation.

"Forever better" – or "Immer besser" has been the cornerstone of Miele's philosophy for over one hundred years. Miele was awarded the "Best practice" award 2002 for innovation, reliability and quality of product by the Institute for Productivity and Quality (IPQ).

Better quality



From start to finish, Miele is the professional partner for your laundry – perfect laundry care for satisfied customers. Easy access to Miele ensures prompt attention for all enquiries, while Miele's network of sales and service centres guarantees fast assistance when help is needed. Special maintenance and service contracts ensure down-time is minimized and provides extra peace of mind.

Better service

The advantages of Miele's Professional technology

MIELE'S LITTLE GIANTS Washer-extractors



PW 6065 Plus

Quality build

Miele machines are made with the highest quality materials and expert workmanship. All components, from the shock-absorbers on the drum cradle and the drum bearings to the outer casing and the very last nut and bolt in the machines, are quality tested to ensure many years of good service. Depending on the model, both the washer-extractors and tumble dryers are available with either a high-grade stainless steel housing or a high-quality vitreous direct enamel housing, which is resistant to corrosion, yellowing and chipping.

Spaceframe construction

Many machines are awkward to service because opening them to access components is a lengthy process. With a Miele Little Giant the front, sides and lid are easily removed by undoing a few screws, so all major working parts are easy for a service technician to access.

Patented Honeycomb drum

Miele's unique patented Honeycomb drum is made from high grade stainless steel. With a sculptured surface, a thin film of water cushions the garments in the drum to reduce fibre breakage and pilling. The specially designed drum ribs, together with optimized drum rhythms, help wet the laundry quickly, so program durations are shorter, water consumption levels are kept down and your laundry gets the best possible care.

Large capacity drum with drum lighting

The new drums have a maximum load capacity of 6.5 kg dry weight and are ideal for the efficient processing of large quantities of laundry. With a 30 cm wide door aperture, access for loading and unloading has been improved, and because the drum has integrated lighting, there is no danger of leaving something behind when unloading.

Efficient professional motor

The powerful asynchronous motor with its frequency-controlled drive system enables a gentle run-up to spin and high spin speeds of up to 1400 rpm. A patented two-stage imbalance sensing system guarantees optimum laundry distribution during spinning, ensures maximum spinning performance and is a contributing factor to the legendary longevity of Miele machines. With a G-factor of 526, water extraction is very efficient and laundry can be dried quickly and efficiently in the matching tumble dryer.

Individual solutions for individual requirements

Liquid detergent dispensing can be connected to the machine for simple, precise and economical dispensing. The machines can also be connected to a payment system or equipped with a serial interface for connection to a pc or printer.

MIELE'S NEW LITTLE GIANTS

PW 5065 and PW 6065 PLUS washer-extractors

Miele
PROFESSIONAL

Miele's compact washer-extractors with honeycomb drum are ideal for the small, professional in-house laundry – or the perfect additional machine for individual departments within a larger establishment.

PW 5065 in white



Washer-extractor PW 5065

- Load capacity: 6.5 kg
- Honeycomb drum, volume: 59 litres
- Spin speed: 1400 rpm
- g-Factor: 526, initial residual moisture 50%
- Available with white lid, front and sides

Controls

- NOVOTRONIC L controls with rotary selector dial
- Door release button
- Interface for PC connection for Miele service technicians

Features

- 2 special heating elements
- Hot and cold water connections
- Drain pump (LP)
- Electric heating
- Drum lighting

PW 6065 PLUS in stainless steel



Wash system

- Scoop and ladle technology for rapid saturation of laundry
- Gentle drum acceleration and imbalance monitoring for lower noise levels and better garment handling

Dispensing system

- Detergent drawer in front of machine
- Pre-equipped with connection for external detergent dispensing pump (1)

Construction

- Stainless steel suds container and patented honeycomb drum
- All parts are coded for easy recycling at the end of their useful life
- Easy to install, can be free-standing or in a stack with matching tumble dryer

Optional extras

- Pumps for liquid dispensing (kit required)
- Plinth/Base (UG 5005, H: 300 mm)
- Can be fitted with external payment system
- Stacking kit

Washer-extractor PW 6065 PLUS

- Available with stainless steel lid, front and sides
- PROFITRONIC L PLUS controls
- Pre-equipped with connection for external detergent dispensing pumps (4)

All other features are the same as on the PW 5065.

For technical data see pages 10 & 11

The advantages of Miele's Professional technology

MIELE'S LITTLE GIANTS Tumble dryers



Large filter in the new dryers



PT 7136 Plus

Patented Honeycomb drum

The hexagonal pattern in the drum on the tumble dryers is convex, creating air pockets to gently catch and cushion the laundry as it tumbles to the bottom of the drum. This allows warm air to surround the laundry enabling more efficient drying. With less friction between fabric and the drum, laundry comes out smoother and less creased, so finishing is easier too.

Large area lint filter

The large surface area of lint filter on the vented dryer is capable of collecting the lint from up to 16 drying cycles (depending on the type of fabric being dried).

Winning combination

MIELE'S LITTLE GIANT tumble dryers with their extremely short program durations and large drum capacity enable large quantities of laundry to be processed quickly and efficiently. With short turnaround times you can reduce the amount of time spent processing laundry each day.

Spaceframe construction

Many machines are awkward to service because opening them to access components is a lengthy process. With a Miele Little Giant the front, sides and lid are easily removed by undoing a few screws, so all major working parts are easy for a service technician to access.

MIELE'S NEW LITTLE GIANTS PT 5136 and PT 7136 PLUS tumble dryers

Miele
PROFESSIONAL

Miele's compact dryers with honeycomb drum are the perfect combination for the LITTLE GIANT washer-extractors.

PT 5136 in white



Tumble dryer PT 5136

- Load capacity: 6.5 kg
- Honeycomb drum, volume: 130 litres
- Available with white lid, front and sides

PT 7136 Plus in stainless steel



Controls

- NOVOTRONIC L controls
- Electric heating
- Drum lighting
- Interface for PC connection for Miele service technicians

Drying system

- Sensitive drying system for precise monitoring of residual moisture levels
- Vented drying system

Construction

- Stainless steel patented honeycomb drum
- All parts are coded for easy recycling at the end of their useful life
- Easy to install, can be sited free-standing or in a stack with matching washer-extractor

Optional extras

- Plinth/Base (UG 5005, H: 300 mm)
- Can be fitted with external payment system
- Stacking kit

Tumble dryer PT 7136 Plus

- Available with stainless steel lid, front and sides
- PROFITRONIC L PLUS controls

All other features are the same as on the PT 5136

For technical data see pages 10 & 11

Controls

CLASSIC



NOVOTRONIC L controls (PW 5065 and PT 5136)

The NOVOTRONIC L controls offer simple and direct selection, by dial selector, of a wide range of standard programs with pre-set temperatures and spin speeds. Special program packages are accessible by the convenient display panel. Features such as program delay and time left display provide for efficient time management.

Economical

The innovative controls automatically determines the load size, required water consumption and water absorbency, once the program has started, resulting in optimum water and energy use.

CONVENIENT



PROFITRONIC L PLUS controls (PW 6065 PLUS and PT 7136 PLUS)

New PROFITRONIC L PLUS electronic controls with multi-function selector and user navigation allow easy program selection of a wide range of programs to cater to all your laundry needs. A large clear text display also shows useful information such as how long a program has left to run and a 24h delay start features enables the user to choose when they want to run a program, facilitating efficient time management.

Short program durations

Quick wash programs enable fast processing times and efficient laundry turnaround. With this faster throughput more programs can be run daily and you can maintain smaller inventories of laundry.

Timed drying or sensor drying

An electronic moisture sensor constantly monitors the residual moisture level of the load in the sensor drying programs ensuring that laundry is gently tumbled to the exact degree of dryness required. Where timed drying is preferred, there is the choice of a cool air or hot air timed drying program.



Join the revolution

For generations, Miele washing machines have been known for their thorough cleaning and gentle care of fabrics. To advance this technology even further, Miele now introduces its latest revolution – the Honeycomb washing drum.

Forged from high-grade stainless steel with a unique convex pattern, the Honeycomb drum both significantly enhances cleaning performance and reduces fabric wear.

This advanced drum design results in a reduction in the number of water exit holes and a network of water channels that create a skim water layer that cushions your clothes while the drum rotates.

Technology working for your business

During extraction, fabric penetrates the water exit holes of traditional washing drums. Over time, the fabric will begin to develop pilling. This wears down the integrity of the material.

The revolutionary Honeycomb drum allows virtually no penetration of material. The honeycomb pattern prevents the clothes from reaching the water exit holes, nestled inside the water channels.

An independent study, conducted by WfK Applied Laundry Research Institute in Krefeld, Germany, showed garments processed in the Honeycomb drum to be cleaner and last up to four times longer than garments processed in a traditional drum.

Continuing the long line of Miele innovation, the Honeycomb drum puts a new spin on wet cleaning technology.

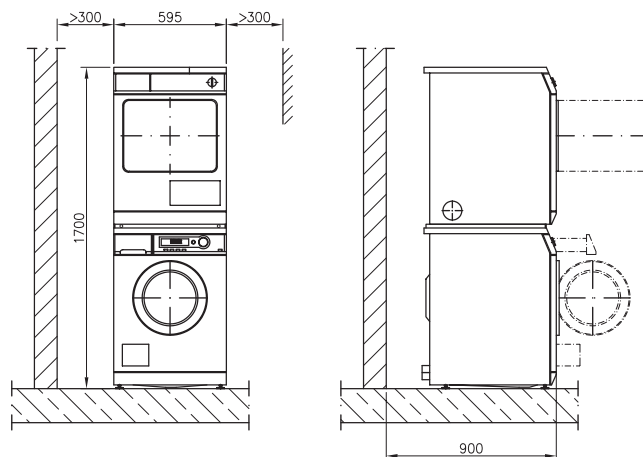
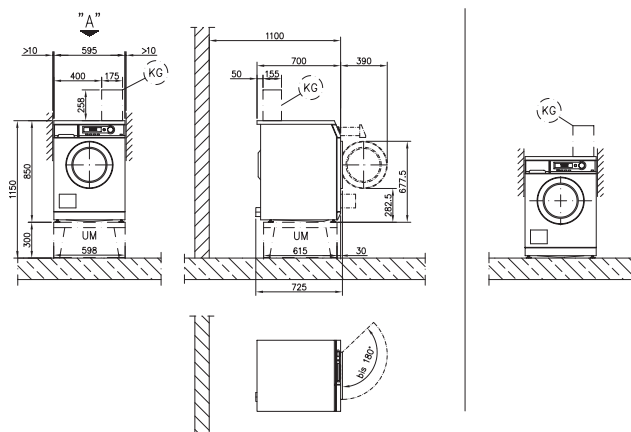
Installation friendly

Where space is at a premium the tumble dryer can be stacked on top of a Miele washer-extractor using a special stacking kit. This option only requires 600 x 700 mm of floor space!

MIELE'S NEW LITTLE GIANTS

Washer-extractors PW 5065 and PW 6065 PLUS

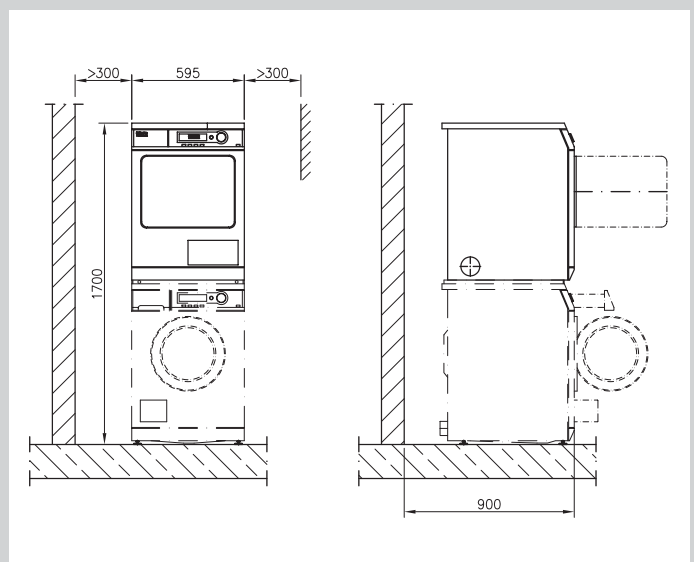
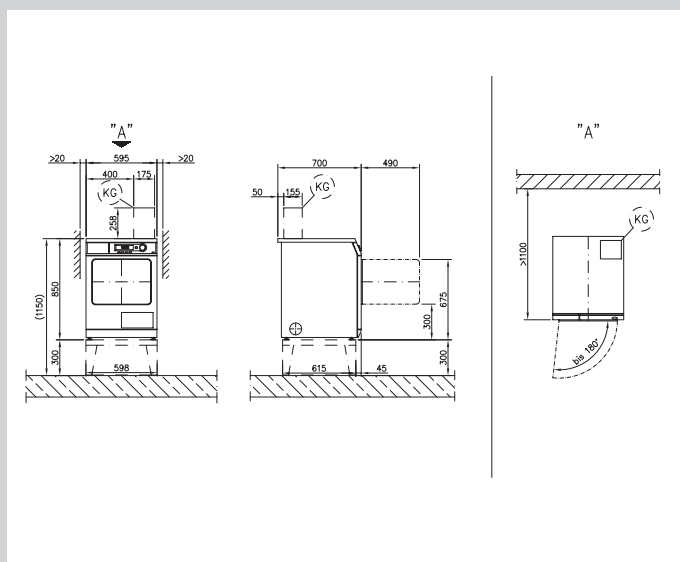
Model number	PW 5065	PW 6065 Plus
Load capacity – Laundry	6.5 kg/15 lbs	6.5 kg/15 lbs
Load capacity – Wet cleaning	–	3.8 kg/8 lbs
Honeycomb Drum, volume (l)	59	59
Spin speed (max. rpm)	1400	1400
G-factor	526	526
Residual moisture (%)	50	50
Controls		
NOVOTRONIC L	•	–
PROFITRONIC L PLUS	–	•
24 h Delay Start feature	•	•
Plumbing		
Cold water, 1/2" with 3/4" threaded union	•	•
Hot water, 1/2" with 3/4" threaded union	•	•
Drain line, 3/4" vented	•	•
Flow pressure 30–145 psi	•	•
Drain pump	•	•
Electrical connection		
Electrical connection	2≈ 208 V 60 Hz	2≈ 208 V 60 Hz
Fuse rating	2 x 20 A	2 x 20 A
Supply cord	4 x AWG 10	4 x AWG 10
Heater rating	3.8 kW	3.8 kW
Total rated load	4 kW	4 kW
Asynchronous motor with frequency converter	•	•
Detergent dispenser		
3 compartment dispenser drawer	•	•
Optional extras		
Dispenser for liquid agent (conversion kit required)	•	•
Plinth/Base (must be bolted to the floor)	•	•
Payment system	•	•
Dimensions, weight		
External dimensions H/W/D (mm)	850/595/720	850/595/720
Drum dimensions	18.9" Ø, 11.8" deep	18.9" Ø, 11.8" deep
Door opening	11.8" Ø	11.8" Ø
Weight (kg)	107	109
Suitable for stacking (kit required)	WTV 5061 white	WTV 5062 stainless steel
External finish		
Front, sides and lid in white enamel finish	•	–
Front, sides and lid in stainless steel	–	•



MIELE'S NEW LITTLE GIANTS

Tumble dryers PT 5136 and PT 7136 PLUS

Model number	PT 5136	PT 7136 PLUS
Load capacity – Laundry	6.5 kg/15 lbs	6.5 kg/15 lbs
Load capacity – Wet cleaning	–	3.8 kg/8 lbs
Honeycomb Drum, volume (l)	130	130
Vented dryer with air recycling system	•	•
Vent diameter	4"	4"
Controls		
NOVOTRONIC L	•	–
PROFITRONIC L PLUS	–	•
Electrical connection		
Electrical connection	3~ 208 V 60 Hz	3~ 208 V 60 Hz
Convertible to	2~ 208 V 60 Hz	2~ 208 V 60 Hz
Fuse rating	3 x 30 A	3 x 30 A
Converted fuse rating	2 x 30 A	2 x 30 A
Supply cord	4 x AWG 10	4 x AWG 10
Heater rating/converted heater rating (kW)	6.15/4.0	6.15/4.0
Total rated load/converted total rated load (kW)	6.4/4.3	6.4/4.3
Optional extras		
Plinth/Base	•	•
Payment system	•	•
Dimensions, weight		
External dimensions H/W/D (mm)	850/595/700	850/595/700
Drum dimensions	23" Ø, 22" deep	23" Ø, 22" deep
Weight (kg)	58	56
Suitable for stacking (kit required)	•	•
External finish		
Front, sides and lid in white enamel finish	•	–
Front, sides and lid in stainless steel	–	•



Miele Limited
Canadian Head Office
161 Four Valley Drive
Vaughan, ON L4K 4V8

Toll Free: (800) 643-5381
Phone: (905) 660-9936

E-mail: professional@miele.ca
Internet: www.miele.ca

Miele worldwide:

AUSTRALIA

Miele Australia Pty. Ltd.
Box 381
Ferntree Gully,
Melbourne, VIC 3156
Tel. +61(0)3/97 64 71 00
Telefax +61(0)3/97 64 71 29

AUSTRIA

Miele Gesellschaft mbH.
Zentrale Salzburg
Mielestr. 1
5071 Wals/Salzburg
Tel. +43(0)6 62/85 84-4 26
Telefax +43(0)6 62/85 84-419

BELGIUM

N.V. Miele S.A.
1730 Mollem
Industriezone Asse 5, Nr. 22.1
Hof te Bollebeeklaan 9
Tel. +32(0)2/451.14.11
Telefax +32(0)2/451.14.14

CANADA

Miele Limited
161 Four Valley Drive
Vaughan, ON L4K 4V8
Tel.: 905 660 9936
Fax: 905 532 2290

CZECH REPUBLIC

Miele spol. s.r.o.
61700 Brno, Hněvkovského 81B
Tel. +420(0)5/4 35 53-1 11
Telefax +420(0)5/4 35 53-1 19

DENMARK

Miele A/S
2600 Glostrup, Erhvervsvej 2
Tel. +45 43 27 11 00
Tel. Salg/Professional
+45 43 27 15 00
Tel. Jylland +45 97 12 70 66
Telefax hovednr. +45 43 27 11 09
Telefax Salg/Professional
+45 43 27 15 09

FINLAND

Miele Oy
01200 Vantaa, Porttikaari 6
Tel. +358(0)9/87 59 70
Telefax +358(0)9/87 59 72 99

FRANCE

Miele S.A.S.
93151-Le Blanc-Mesnil (Paris)
33332 Gütersloh
9 avenue Albert Einstein
Tel. +33(0)1/49 39 34 35
Telefax +33(0)1/49 39 44 38

GERMANY

Miele & Cie. KG
Carl-Miele-Straße 29
33332 Gütersloh
Tel.: 0 180 220 21 21 (6 ct/min)*
Fax: 0 180 111 20 30*
*Only in Germany
www.miele-professional.de
info@miele.de

GREECE

Miele Hellas GmbH
154 51 N. Psychiko-Athen
Mesogion 257
Tel. national 01/10 6 79 44 44
international 00 30/2/10 6 79 44 44
Telefax 01/10 6 79 42 09
international 00 30/2/10 6 79 42 09

HUNGARY

Miele Kft.
Hungária krt. 179 - 187
1146 Budapest
Tel. national 06/1/4 22-31 80
international 0036/1/4 22-31 80
Telefax +3(0)6/1/3 83 -93 04

HONG KONG

Miele Hong Kong Ltd.
AIA Plaza, Room 401, 4th Floor,
18 Hysan Avenue,
Causeway Bay, Hong Kong
Tel. +852/26101331
Fax +852/26101313

IRELAND

Miele Ireland Ltd., Dublin 24
Broomhill Road
Tallaght
Tel. +353(0)1/461 07 10
Telefax +353(0)1/461 07-97

ITALY

Miele Italia G. m. b. H.
39057 Eppan
Umfahrungsstraße 27
Tel. +39 04 71/66 61 11
Telefax +39 04 71/66 63 34

JAPAN

Miele Japan Corp.
150-0044 Tokyo, Shibuya-ku
Maruyamacho 3-6,
E Space Tower 11F
Tel.: +81-3-57 84-0036
Fax: +81-3-57 84-0037

KOREA

Miele Korea Limited
Miele Haus, 607-10 Yeoksam-dong
Gangnam-gu
SEOUL 135-080
Tel. +82 2 3451 9343
Telefax +82 2 3451 9399

LUXEMBOURG

Miele s.à r.l.
20, Rue Christophe Plantin
2339 Luxembourg
Tel. +352/4 97 11-25
Telefax +352/4 97 11-39

MEXICO

Miele S.A. de C.V.
Av. Santa Fé 170
German Centre 0-4-2
Col. Lomas de Santa Fé
01210, México, D.F.
Tel. +52/55/85 03 98 70 und
+52/55/85 03 98 73
Telefax +52/55/85 03 98 74

NETHERLANDS

Miele Nederland B.V.
4131 NR Vianen, De Limiet 2
Tel. +31(0)3 47/37 88 83
Telefax +31(0)3 47/37 84 29

NORWAY

Miele AS
Loxaveien 13
1351 Rud
Tel. +47/67 17 31 00
Telefax +47/67 17 31 10

POLAND

Miele Sp. z. o. o.
02-683 Warszawa
Ul. Gotarda 9
Tel. +48/22/5 48 40 00
Telefax +48/22/5 48 40 10

PORTUGAL

Miele Portuguesa, Lda.
Av. do Forte, 5
2795-504 Carnaxide
Tel. +351/21/42 48-100
Telefax +351/21/42 48-109

RUSSIA

000 Miele CIS
125167 Moskau
Leningradskij Prospekt, 39 A
Tel. +7/495/745 89 92
Telefax +7/495/745 86 80

SINGAPORE

Miele Pte. Ltd.
163 Penang Road #04-02/03
Winsland House II
Singapore 238463
Tel. +65/67 35 11 91 oder
+65/65 62 88 95
Telefax +65/67 35 11 61

SLOVAKIA

Miele spol. s. r. o.
Plynárenská 1
82109 Bratislava
Tel. +421/2/53 63 37 37
Telefax +421/2/53 63 37 46

SLOVENIA

Werkkundendienststelle
Miele d.o.o.
Brodisce 15
1236 Trzin

SOUTH AFRICA

Miele SA (Pty) Ltd.
63 Peter Place
Bryanston 2194
PO Box 69434
Bryanston 2021
Tel. +27(0)11/5 48-19 00
Telefax +27(0)11/5 48-19 35

SPAIN

Miele S.A.
28108 Alcobendas (Madrid)
Carretera de Fuencarral, 20
Tel. +34/91/6 23 20 00
Telefax +34/91/6 62 02 66

SWEDEN

Miele AB
Industrivägen 20
171 27 Solna
Tel. +46(0)8/5 62 29-000
Telefax +46(0)8/5 62 29-209

SWITZERLAND

Miele AG
8957 Spreitenbach
Limmatsstr. 4
Tel. +41(0)56/4 17 20 00
Telefax +41(0)56/4 17-24 69

TURKEY

Miele Elektrikli Aletler
Diş. Tic. ve Paz. Ltd. Şti.
Güvercin Sokak No. 10
80620 Levent-Istanbul
Tel. +90/2 12/3 25 84 40
Telefax +90/2 12/3 25 84 49

UKRAINE

TOV Miele
Podil Plaza
30 A, Spasskaya St.
04070 Kiev

USA

Miele, Inc.
9 Independence Way
Princeton, NJ 08540
Tel. 001-800/843 72 31
Telefax 001-609/419 42 41

United Arab Emirates

Miele Appliances Ltd.
Mankhool Road 1
Nashwan Building
P.O. Box 11 47 82, DUBAI
Tel. +971-4-39897-18
Telefax +971-4-39897-19

OTHER COUNTRIES:

Sales International
Miele & Cie. KG
Carl-Miele-Straße 29
33332 Gütersloh
Tel.: +49(0)52 41-89 15 07
Fax: +49(0)52 41-89 15 00

Please do not hesitate to contact us if you require further information on these machines, or on any of our other products.

The images, logos, names and trading marks used in this brochure to identify Miele, our products and services are our proprietary marks whether registered or unregistered. These may only be used with the express permission of Miele.